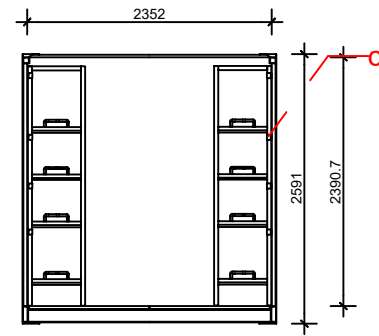
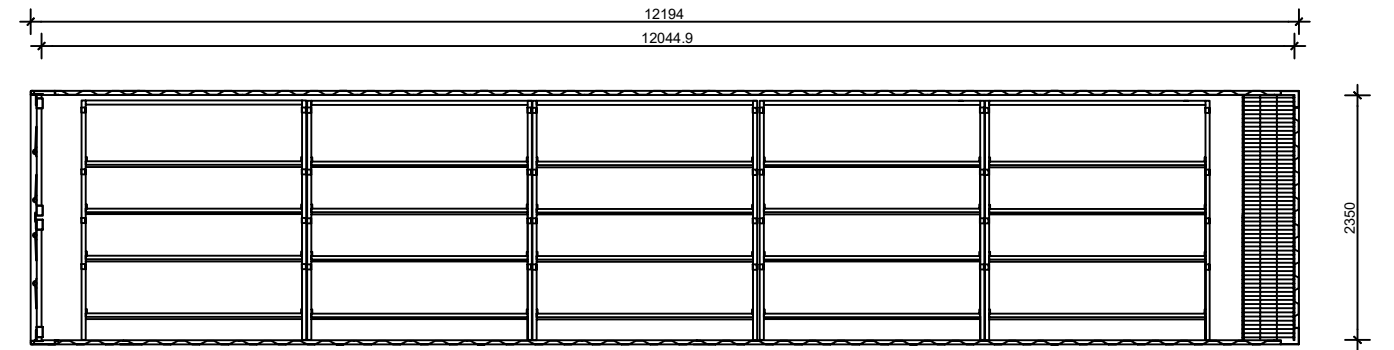


Notes:  Переклад приміток

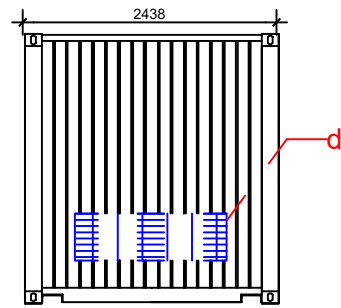
- a - The hatched area represents the interior space taken by the cooling/refrigeration unit. The contractor can also propose a model that has the unit outside of the container.
- b - The door could cover the whole side of the container as a full sized double leaf, The door shall include a PVC curtain to minimize thermal exchange when the door is being opened. The curtain shall be transparent material thickness 2 to 3mm for the strips.
- c - The shelves shall be fixed to the wall using a welded bracket to avoid puncturing the insulation or damaging it made of 304 stainless the contractor shall provide detailed drawings for the fixation method Along with the detailed drawings for the whole shelfe units prior for approval.
- d - The space/opening for the refrigeration unit. It should be accessed from the exterior of the unit.
- e - The contractor shall provide an entry steel ramp, width 1000 min, incling less than 20°, to facilitate entry with trolley from 0+00 up to 0+400m.



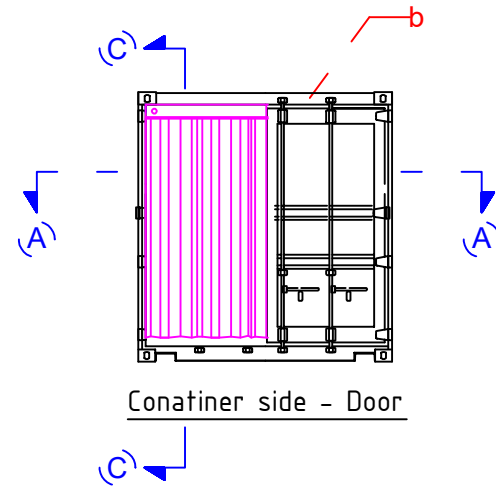
Section B-B



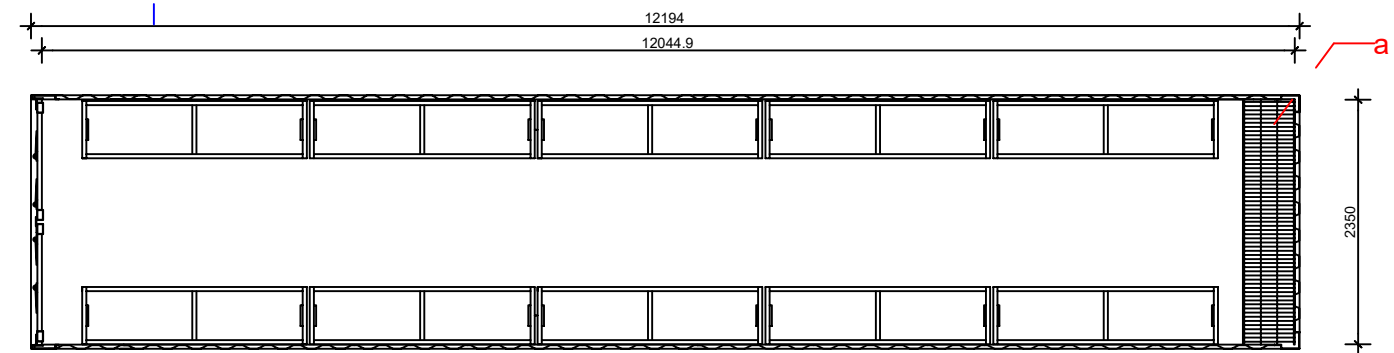
Section C-C



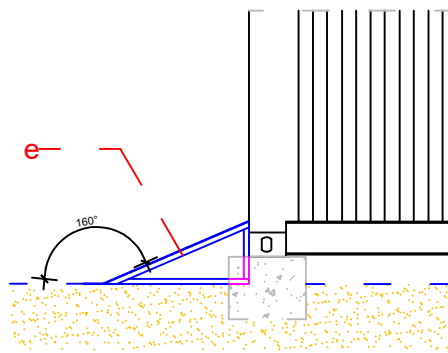
Back view



Container side - Door





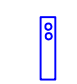


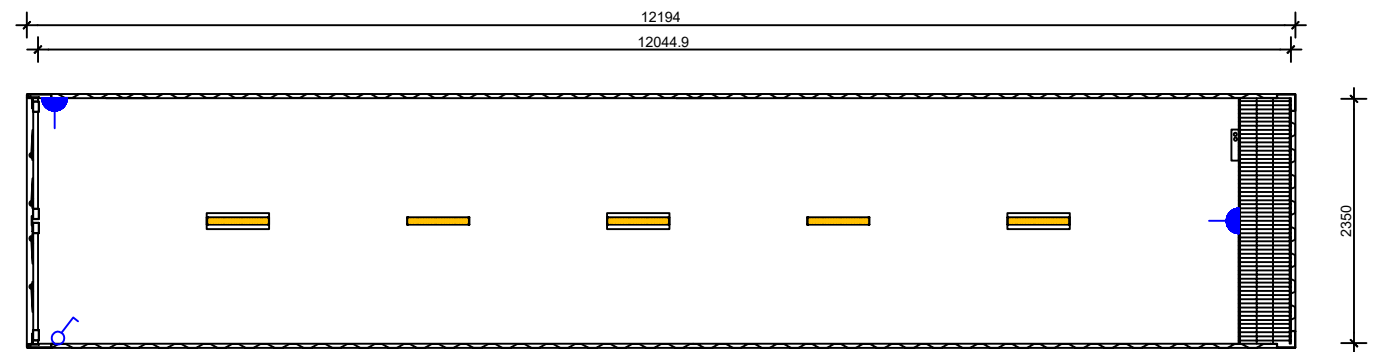
Section A-A Shelves arrangement



Entry ramp detailing

LEGEND

-  LED light ip65 enclosure 230V Equipped with 12 hrs emergency battery
-  LED light ip65 enclosure 230V
-  Double socket with led, ip65 230V, 16A
-  Single pole switch 230V,10A
-  Power distribution panel, ip65 enclosure to be sized up based on required internal components



Section A-A Electrical components

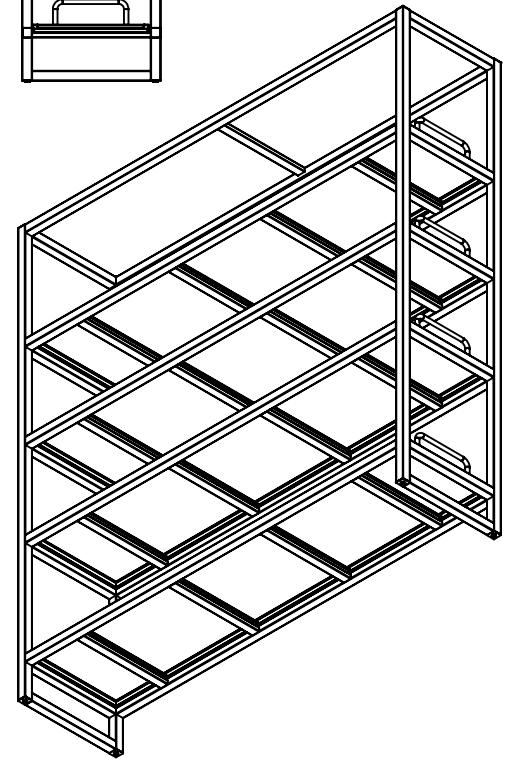
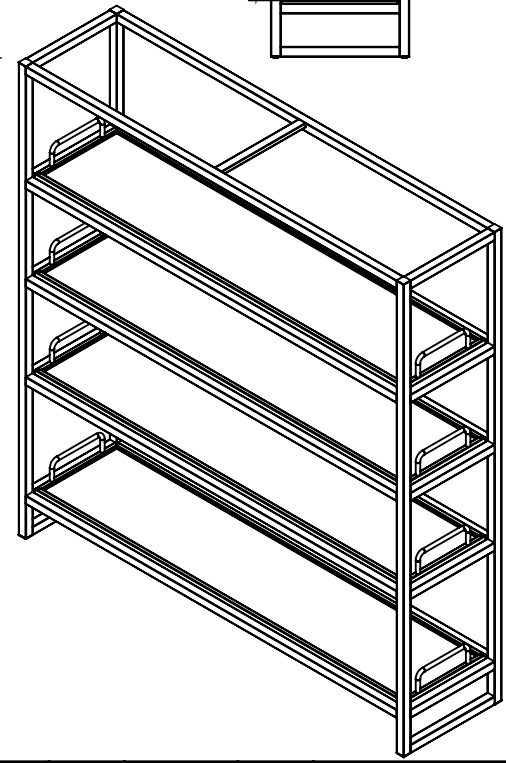
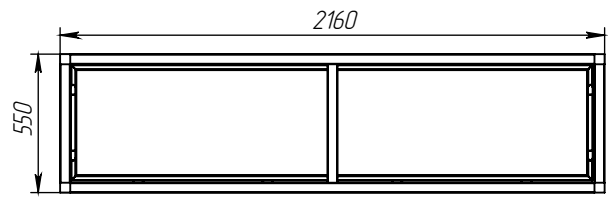
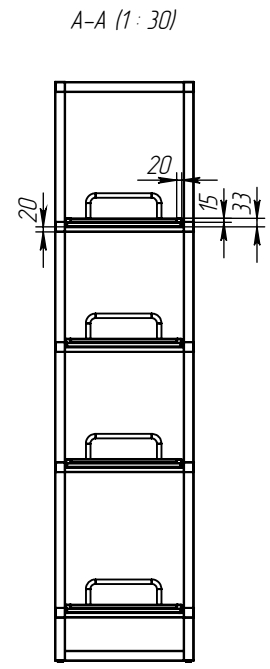
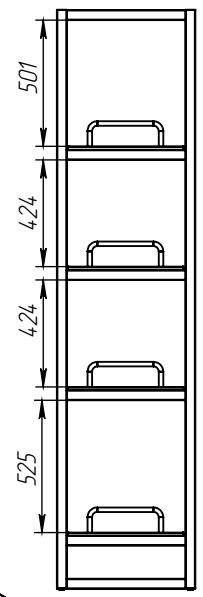
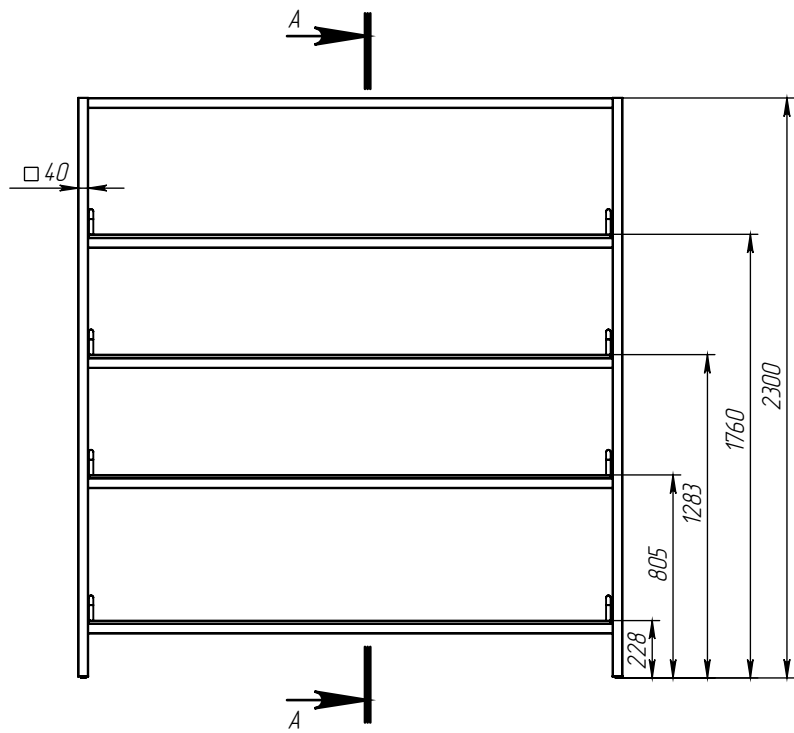
PROJECT:
REFRIGERATION CONTAINERS FOR MLB

DRAWING No.:
RCM - 010 - 020

Appendix "A"

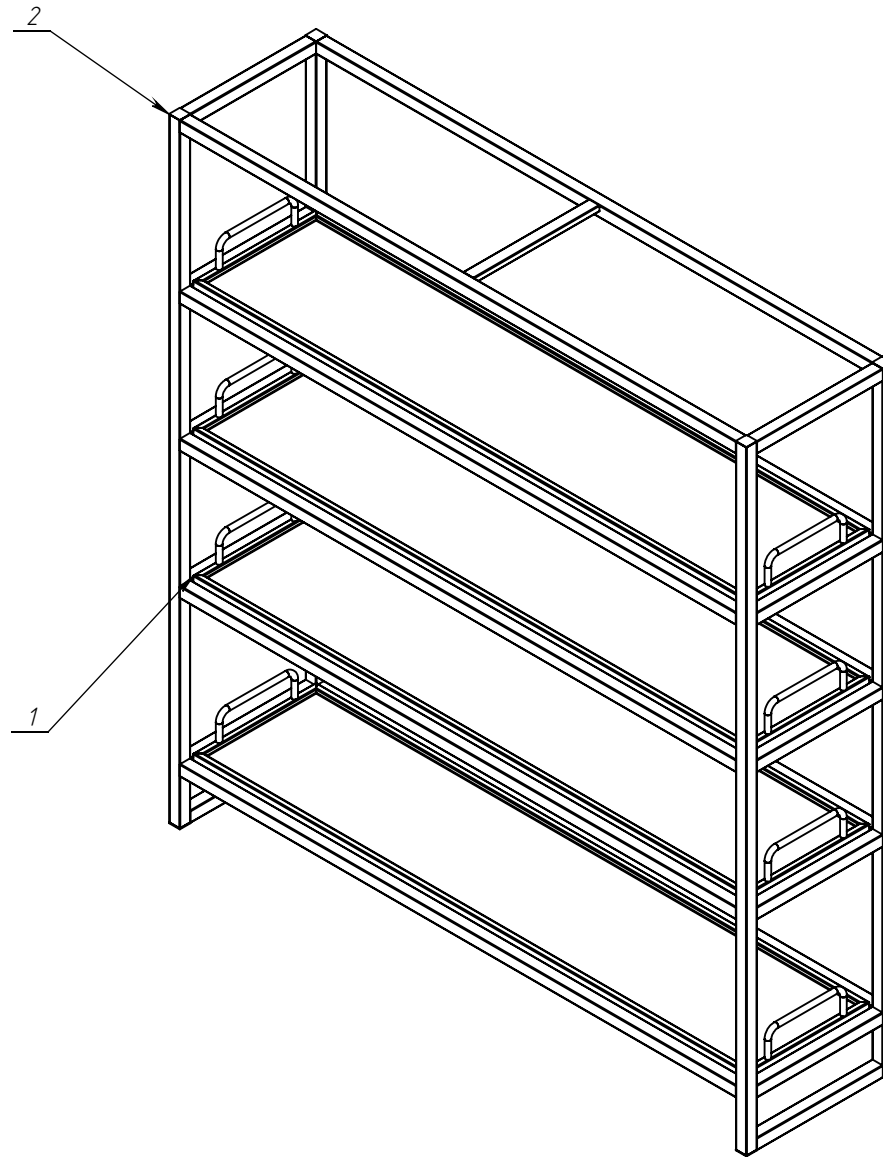
Detail Drawings of Shelves

		PROJECT: REFRIGERATION CONTAINERS FOR MLB	DRAWING No.: RCM - 000 - 000



Зм.	Кінк.	Арк.	№ док.	Підп.	Дата

Поз. /Pos.	Позначення деталі / Part identification	К-ть / Q-ty
1	Полиця / Shelf	4
2	Каркас / Frame	1

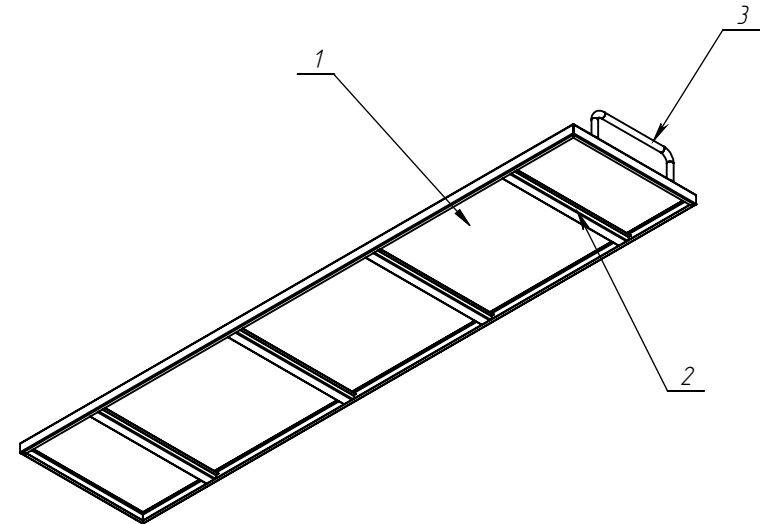
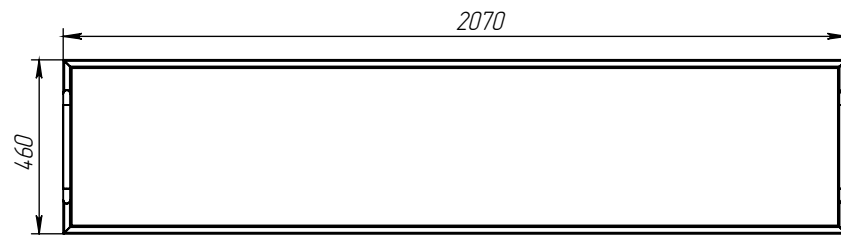
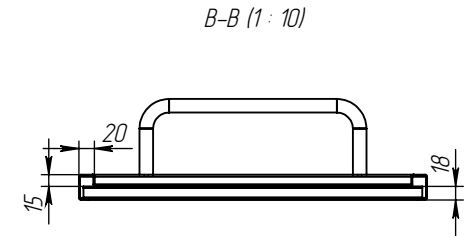
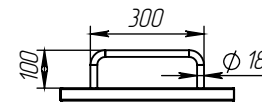
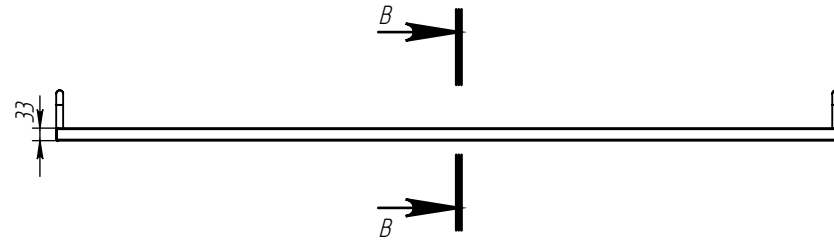


Зм.	Кільк.	Арк.	№ док.	Підп.	Дата

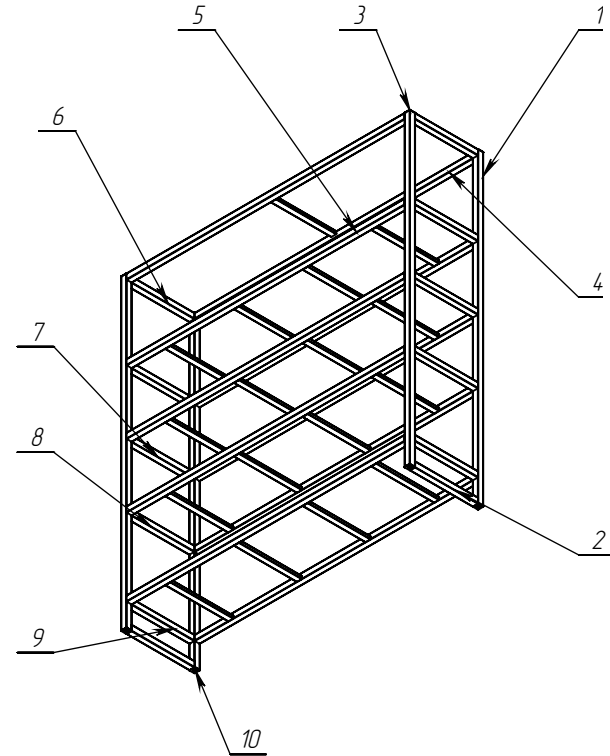
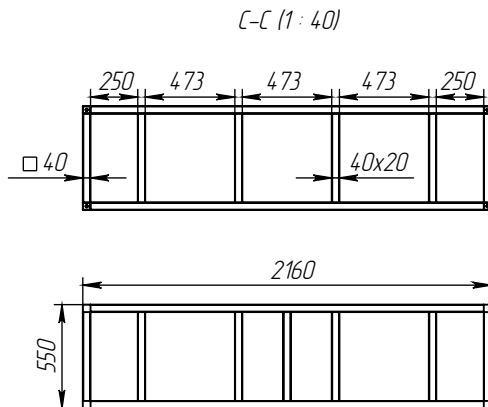
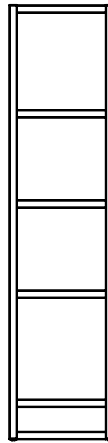
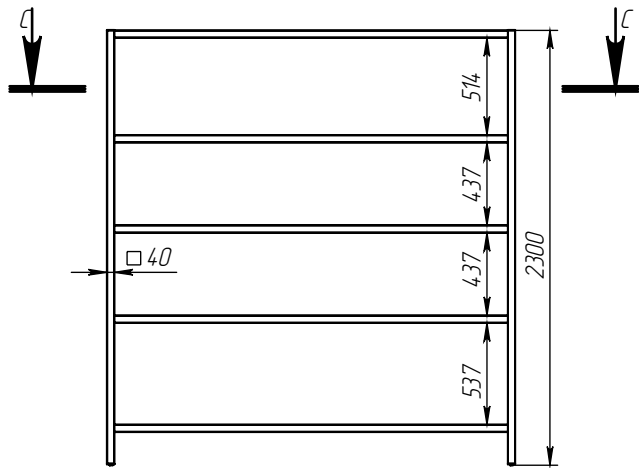
Аркуш

2

Поз. / Pos.	Позначення деталі / Part identification	К-ть / Q-ty	Заг. Кі-ть / Total q-ty	Матеріал / Material	Форма / shape	Переріз / thickness
1	Полиця з бортами / Shelf with sides	1	4	AISI 304/1	Лист / Sheet	1,2
2	Траверса полиці / Shelf traverse	4	16	AISI 304/1	Лист / Sheet	1,2
3	Ручка / Handle	2	8	AISI 304	Труба / Pipe	18x15



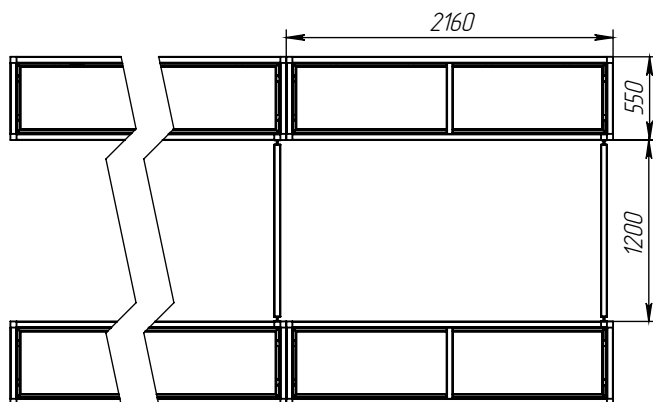
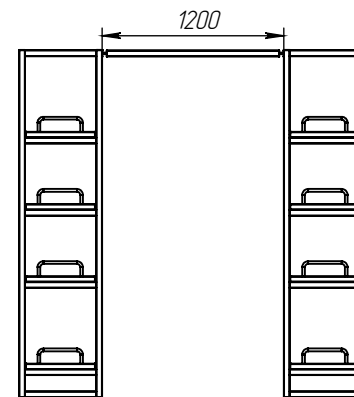
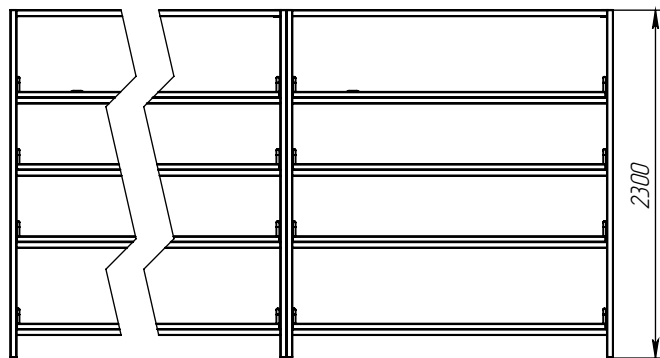
Поз. / Pos.	Позначення деталі / Part identification	К-ть / Q-ty	Заг. Кі-ть / Total q-ty	Матеріал / Materials	Форма / shape	Переріз / thickness
1	Стійка / Stand	4	4	AISI 304	Труба / Pipe	40x40 x1,5
2	Опора / Pillar	4	4	AISI 304/1	Лист / Sheet	2
3	Заглушка / Plug	4	4	AISI 304/1	Лист / Sheet	1,5
4	Перемичка задня / Rear jumper	6	6	AISI 304	Труба / Pipe	40x40 x1,5
5	Перемичка передня / Front jumper	4	4	AISI 304	Труба / Pipe	40x40 x1,5
6	Перемичка бокова внутрішня / Internal side jumper	17	17	AISI 304	Труба / Pipe	40x20 x1,2
7	Перемичка бокова - 01 / Side jumper - 01	4	4	AISI 304	Труба / Pipe	40x40 x1,5
8	Перемичка бокова - 02 / Side jumper - 02	4	4	AISI 304	Труба / Pipe	40x40 x1,5
9	Перемичка бокова - 03 / Side jumper - 03	4	4	AISI 304	Труба / Pipe	40x40 x1,5
10	Болт М10х40 Стійка / Bolt M10x40 Rack	4				



Зм.	Кілк.	Арк.	№ док.	Підп.	Дата

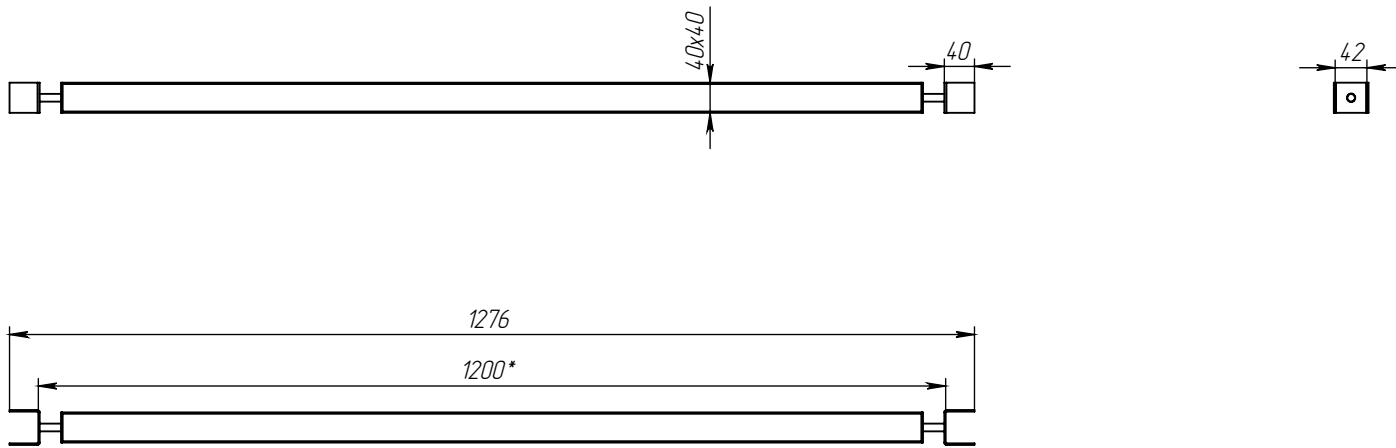
Аркуш
4

Кріплення стелажів між собою / Fastening of racks between themselves



Зм.	Кільк.	Арк.	№ док.	Підп.	Дата

Поз.	Позначення деталі / Part identification	К-ть / Q-ty	Матеріал / Materials	Форма / shape	Переріз / thickness	Довжина / Length	Ширина / Width
1	Труба - 01 / Pipe - 01	1	AISI 304	Труба / Pipe	40x40 x1,2	1136,00	40,00
2	Заглушка труби / Pipe plug	2	AISI 304/1	Лист / Sheet	2	40,00	40,00
3	Кронштейн труби / Pipe Bracket	2	AISI 304/1	Лист / Sheet	2	118,27	40
4	Розпірна шпилька M10 / Stud M10 spacer bar	2					



* Розміри для довідок /
Dimensions for reference

1. Розпірна планка / Spacer bar L=1150-1200mm
2. К-ть / Q-ty 60 шт./ pcs.

Зм.	Кілк.	Арк.	№ док.	Підп.	Дата

Аркуш

6

Appendix "B"

Examples of equipment for
reference only

		PROJECT: REFRIGERATION CONTAINERS FOR MLB	DRAWING No.: RCM - 000 - 000



Figure 1: Example of a standard 20ft reefer container with the refrigeration unit at the back. Please Note this picture is an example to clarify the sort of equipment that would be procured, the contractor will have to produce detailed dimensions and specifications for approval.

Figure 2: Example of a mortuary trolley with a pedal operated hydraulic arm. Please Note this picture is an example to clarify the sort of equipment that would be procured.

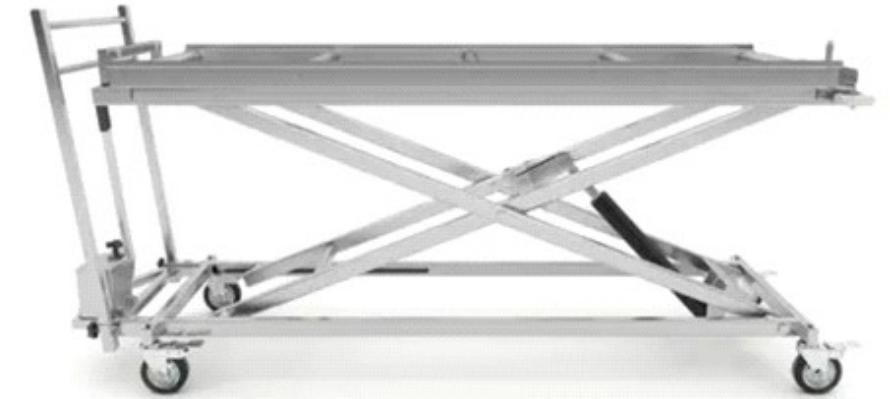


Figure 3: Example of a standard 20ft reefer container with a full sized door and interior stainless steel plating for walls. Please Note this picture is an example to clarify the sort of equipment that would be procured.

Figure 4: Example of the stainless steel shelves that would be procured and installed inside the container (With lateral movement). Please Note this picture is an example to clarify the sort of equipment that would be procured.



Illustrative example of a rack

PROJECT: REFRIGERATION CONTAINERS FOR MLB	DRAWING No.: RCM - 000 - 000